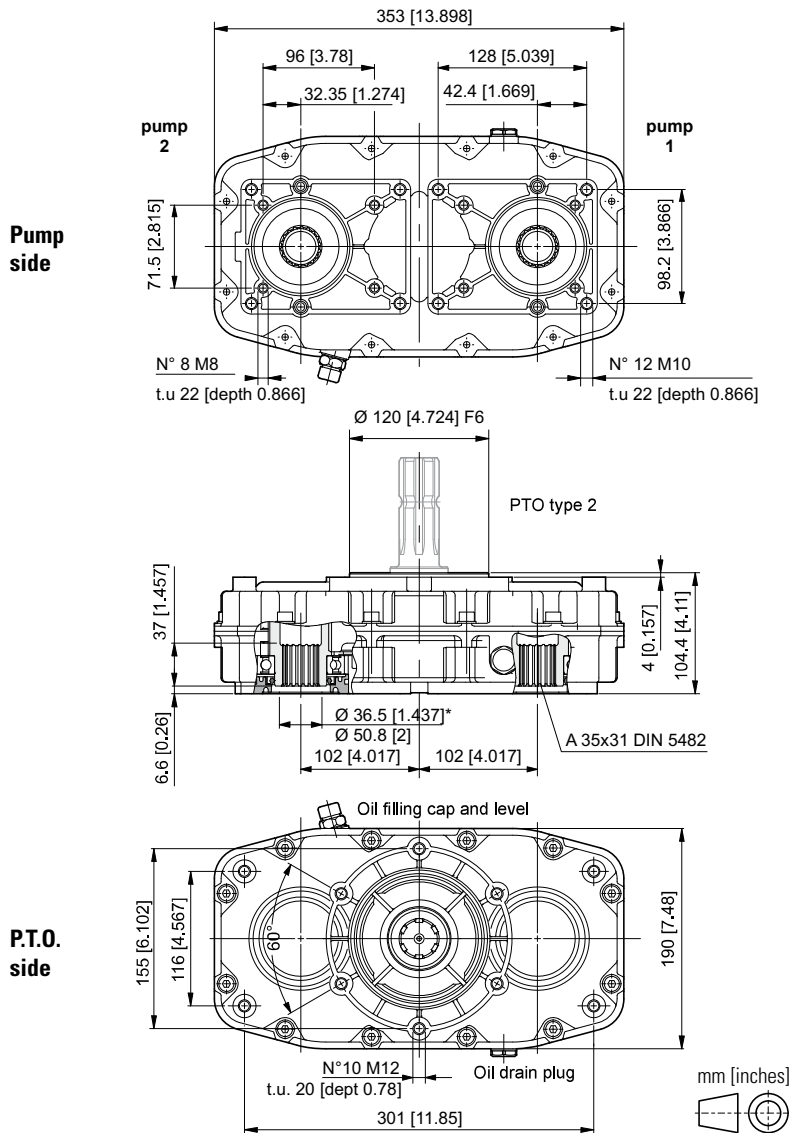
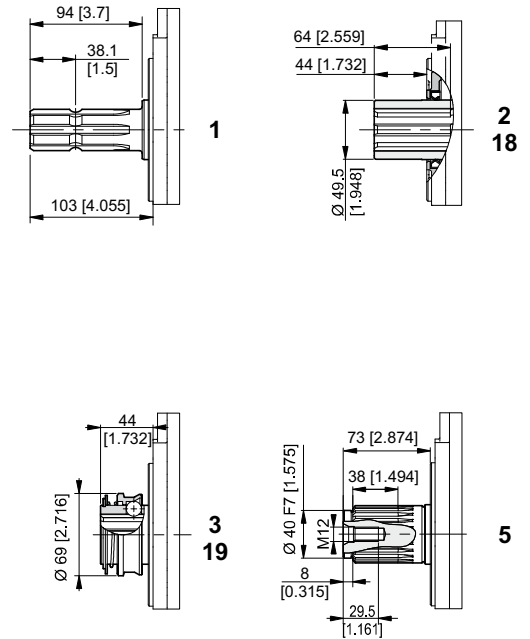


SPLITTER FOR PUMPS WITH EUROPEAN UNIFIED FLANGE GR 2/3 - SAE A/B

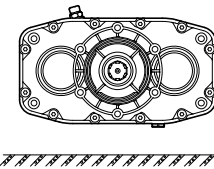


* = flange "C" for GR.2/3 pumps

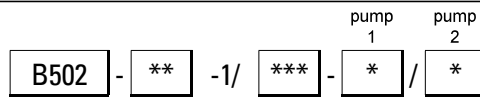
P.T.O.



Mounting positions



ORDERING CODE



B502 = Splitter gearbox (aluminium body)

P.T.O.

- 1** = Male 1" 3/8 DIN 9611
- 2** = Female 1" 3/8 DIN 9611
- 3** = Female 1" 3/8 DIN 9611 + tightening
- 5** = Male Z23 DIN 5482
- 18** = Female z21 - 16/32 DIN 9611
- 19** = Female z21 - 16/32 DIN 9611 + tightening

Flange

- A** = SAE A
- B** = SAE B (with flange "T" page 30)
- C** = GR 2/3

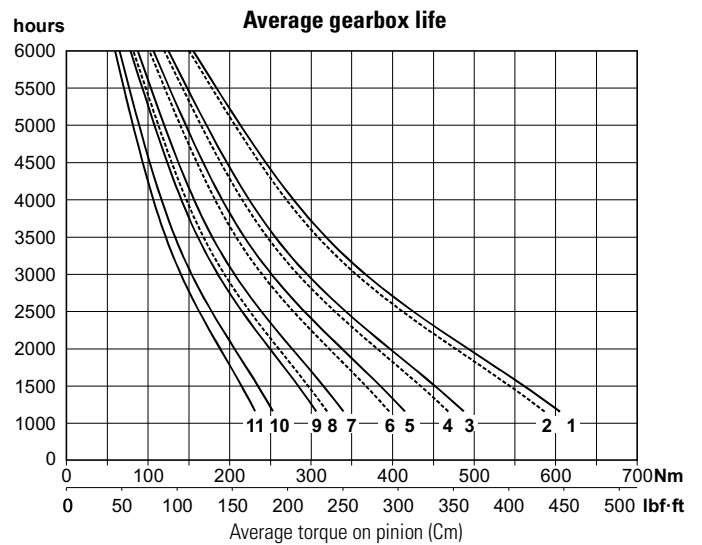
Transmission ratio

- 1** = 1 : 1.0
- 1,5** = 1 : 1.5
- 2** = 1 : 2.0
- 2,6** = 1 : 2.6
- 3** = 1 : 3.0
- 3,4** = 1 : 3.4
- 3,8** = 1 : 3.8

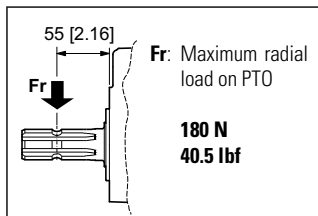
Coupling for pump to be required to our sales department.

TECHNICAL DATA

Transmission ratio	Maximum torque Nm [lbf-ft]				Weight kg [lb]
	540 rpm		1000 rpm		
	C1*	C2*	C1*	C2*	
1 : 1.0	604 [445]	318 [235]	585 [431]	308 [227]	12,9 [28.4]
1 : 1.5	486 [358]	256 [189]	467 [344]	246 [181]	12,2 [26.9]
1 : 2.0	414 [305]	218 [161]	395 [291]	208 [153]	11,2 [24.7]
1 : 2.6	339 [250]	178 [131]	319 [235]	168 [124]	11,8 [26]
1 : 3.0	306 [226]	161 [119]	—	—	11,2 [24.7]
1 : 3.4	253 [187]	133 [98]	—	—	11,2 [24.7]
1 : 3.8	231 [170]	122 [89]	—	—	11,1 [24.5]



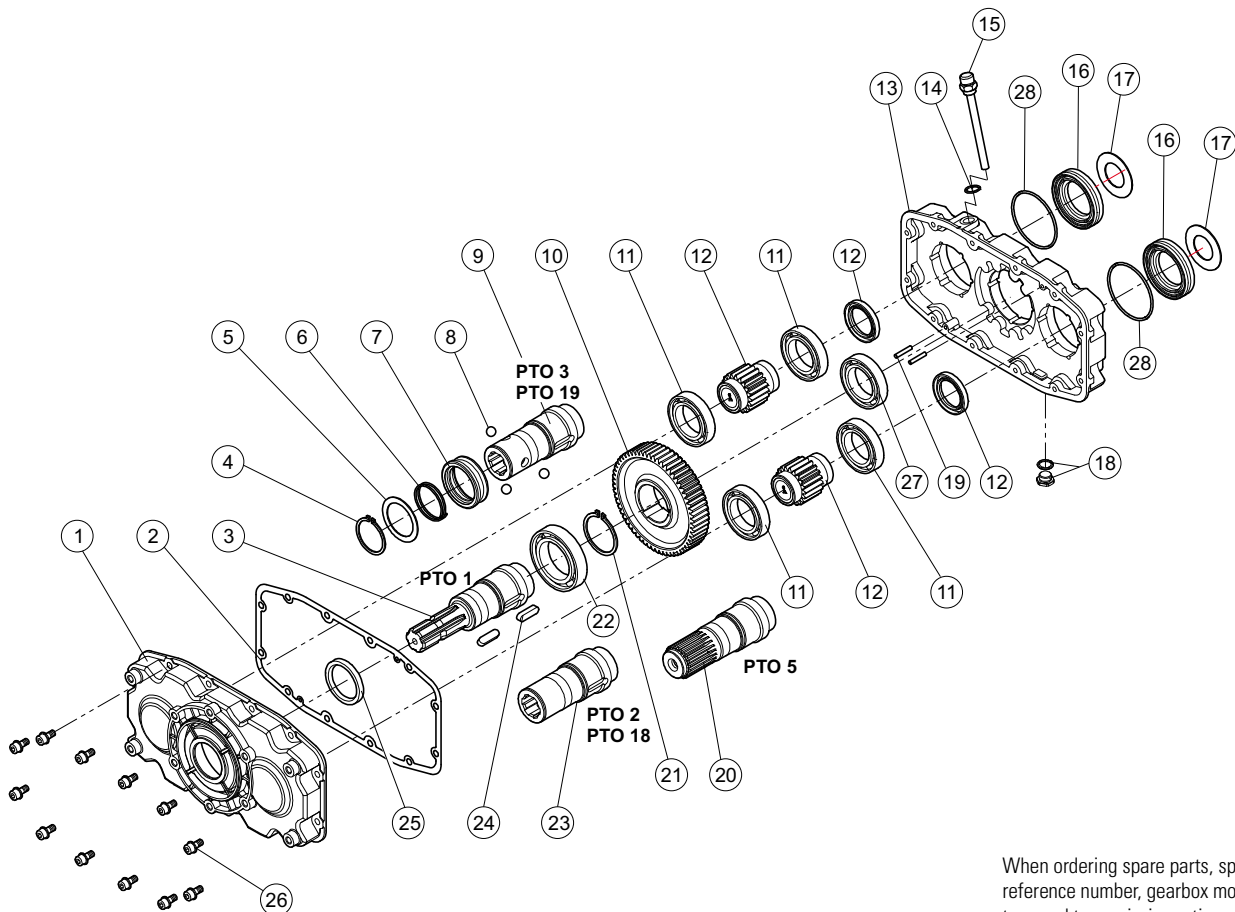
* Maximum torque on pump:
C1= maximum starting torque; C2= maximum torque for continuous duty.



Oil
liters [US gallon]
1.20 [0.32]

Input rpm	Output (transmission ratio)							
	1 : 1.0	1 : 1.5	1 : 2.0	1 : 2.6	1 : 3.0	1 : 3.4	1 : 3.8	
540	curve	1	3	5	7	9	10	11
	rpm	540	810	1080	1408	1620	1836	2160
1000	curve	2	4	6	8	—	—	—
	rpm	1000	1500	2000	2607	—	—	—

SPARE PARTS



When ordering spare parts, specify reference number, gearbox model, PTO type and transmission ratio.